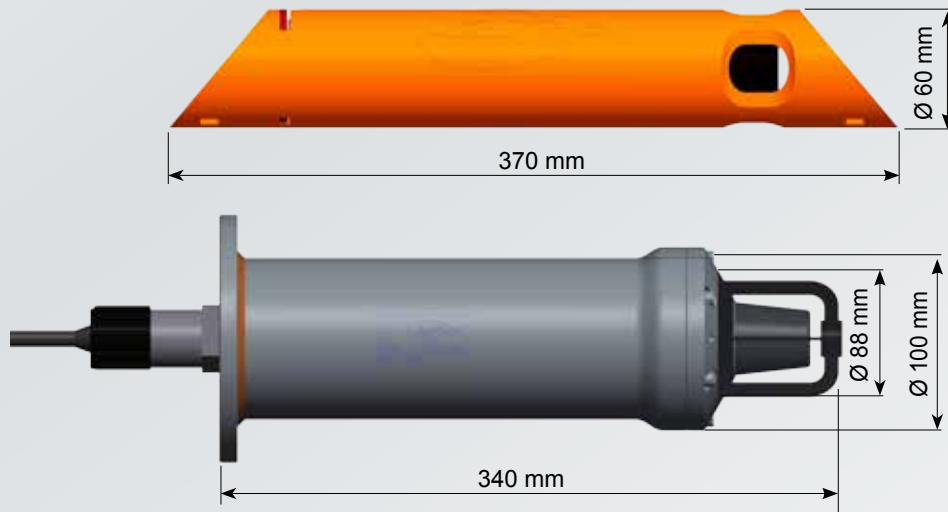


GeoTag Specifications

GENERAL	
Operating Range	1000 m
Positioning accuracy	0.2 m typical after processing
Operating Frequency Range	35 kHz - 48 kHz
Max boat speed	5 knots
Number of Unique Addresses	10230
Available tests	Before deployment : acoustic telemetry test and battery level
TRANSPONDER	
Depth rating	500 m
Battery life (Alkaline)	6 months typical in operation
Weight	1 kg in air, 0.3 kg in water
Dimensions	370 mm x 60 mm
TRANSCEIVER	
Transceiver user link	USB with junction box
Transceiver power supply	+90 VAC / +230 VAC with junction box
Weight	4.4 kg in air, 2.5 kg in water
Dimensions	340 mm x 100 mm
ENVIRONMENT	
Operating temperature	-20°C / +60°C

Note: Sercel reserves the right to change its specifications without prior notice.
All specifications are typical at 20°C



Sercel - France

16 rue de Bel Air
B.P. 30439 - 44474 CARQUEFOU Cedex
Téléphone: (33) 2 40 30 11 81
Fax: (33) 2 40 30 19 48
E-mail: sales.nantes@sercel.com
SAS au capital de 2 000 000 €
Siège Social: 16 rue de Bel Air - 44470 CARQUEFOU
378.040.497 R.C.S. Nantes Code APE 2651B

Sercel Inc. - U.S.A.

17200 Park Row
Houston, Texas 77084
Telephone: (1) 281 492 6688
Fax: (1) 281 579 7505
E-mail: sales.houston@sercel.com

www.sercel.com

© Sercel 10/16



Ahead of the CurveSM