

UNITE Specifications

	RAU eX	RAU eX-3
GENERAL		
Number of channels	1	3
Timing accuracy	better than 20 μ s	better than 20 μ s
Memory autonomy (2 ms sampling)	480 h	310 h
Internal battery autonomy (Autonomous mode)	140 h	130 h
External battery autonomy (12 V/15 Ah, Autonomous mode)	250 h	220 h
External battery input	11 V - 18 V	11 V - 18 V

WEIGHT		
Internal battery included	1.6 kg	1.95 kg

ENVIRONMENTAL LIMITS		
Operational temperature	-40 °C* / +60°C	
Storage temperature	-40 °C* / +60°C	
Humidity	IP68	
Internal battery charge temperature	0°C/+40°C	

RADIO TRANSMISSION		
WLAN Frequency	2.4 - 2.4835 GHz	
Power	18 dBm**	
Antenna	Omni-directional patch	
Data rate	Up to 11 Mbps	
Range	Up to 1500 m (LOS)	

GPS		
Frequency	L1 (1575.42 MHz)	
Cold start acquisition sensitivity	-173 dBW	
TTFF (cold start)	< 30 s (sat. signal strength = -130 dBm)	

* Specific use conditions

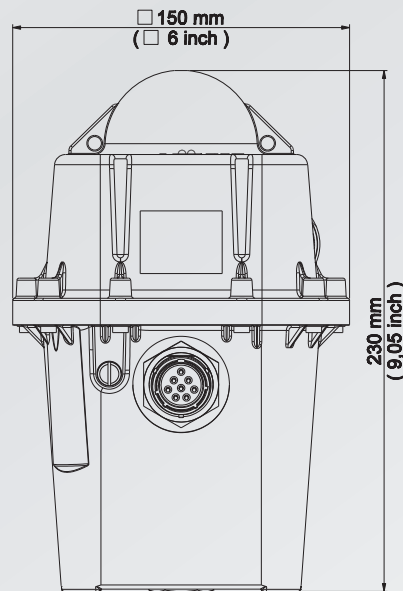
** 18 dBm = 63,1 mW/10 MHz = 6,31 mW/MHz

	RAU eX	RAU eX-3
UNITE TESTS		
Battery status	✓	✓
GPS status	✓	✓
WLAN signal strength	✓	✓

SENSOR TESTS		
Resistance	✓	✓
Tilt	✓	✓
Leakage	✓	✓
Noise	✓	✓
Crosstalk		✓

INSTRUMENT TESTS		
Distortion	✓	✓
Gain	✓	✓
Phase	✓	✓
Noise	✓	✓
Crosstalk		✓

Note: Sercel reserves the right to change its specifications without prior notice.
All specifications are typical at 25°C



Sercel - France

16 rue de Bel Air
B.P. 30439 - 44474 CARQUEFOU Cedex
Téléphone: (33) 2 40 30 11 81
Fax: (33) 2 40 30 19 48
E-mail: sales.nantes@sercel.com
SAS au capital de 2 000 000 €
Siège Social: 16 rue de Bel Air - 44470 CARQUEFOU
378.040.497 R.C.S. Nantes Code APE 2651B

Sercel Inc. - U.S.A.

17200 Park Row
Houston, Texas 77084
Telephone: (1) 281 492 6688
Fax: (1) 281 579 7505
E-mail: sales.houston@sercel.com

www.sercel.com
© Sercel 07/18



Ahead of the CurveSM