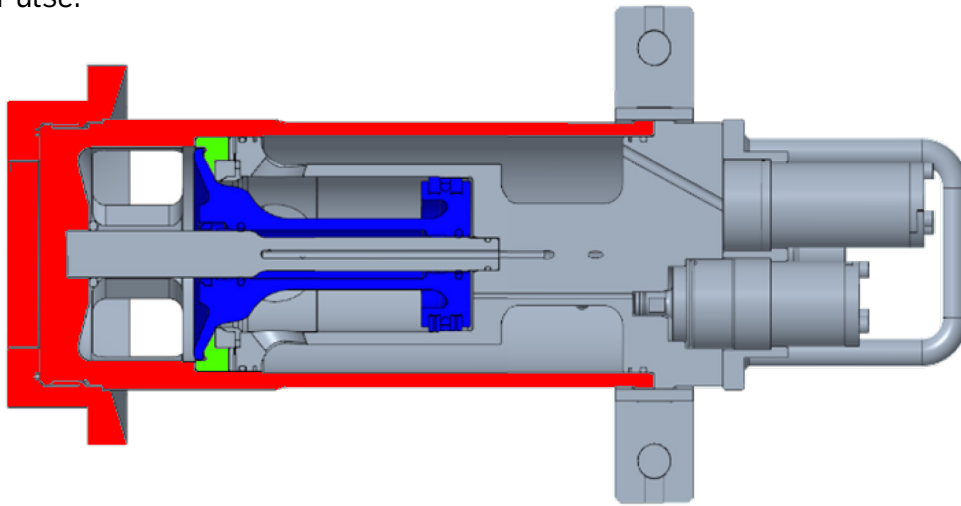


# BLUEPULSE UPGRADE KIT

## Upgrade your standard G-Source II and G-Source to BluePulse!

Based on the G-Source II, the BluePulse uses many common parts, making it quick and easy to upgrade fleets already equipped with the G-Source II, while limiting upgrade costs and training requirements.

The colored parts shown in the following figure illustrate the three assembly components that are specific to BluePulse:



Upgrade kits are available to upgrade G-Source II and standard G-Source to BluePulse, and include all necessary parts (O-ring, parts, etc):

TYPE	SIZE	100 Hz @ 160 dB	200 Hz @ 160 dB
G-source II	150 cu.in	10055611	10049049
	250 cu.in	10055614	10049501
	380 cu.in	10055615	10050143
G-source	150 cu.in	10055616	10055624
	250 cu.in	10055617	10055625
	380 cu.in	10055623	10055626

**Caution:** It is recommended to sleeve body and shuttle O-rings when upgrading the G-Source II and G-Source.

Please contact us to learn more about the benefits of our source modelling service and to get advice on how to get the most from your marine source: [spareparts.gsource@sercel.com](mailto:spareparts.gsource@sercel.com)