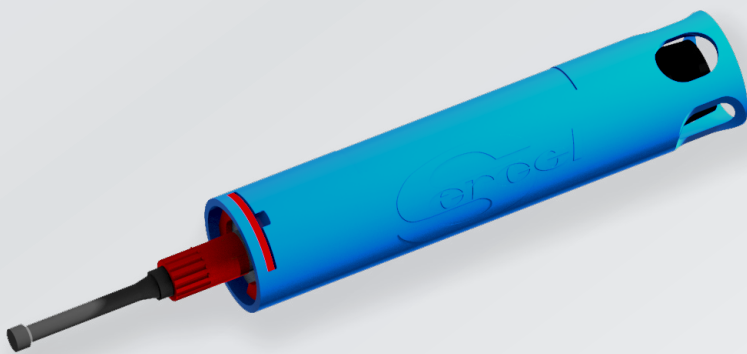


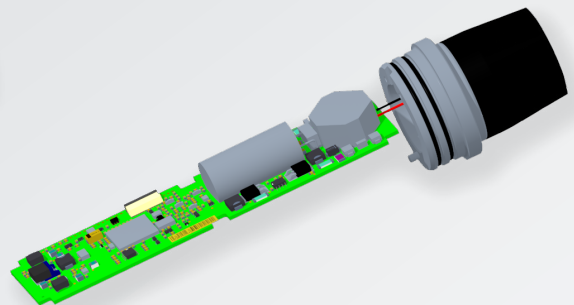
MATS LT Specifications

	MATS LT	MATS LT-OEM
Function	Underwater communication & positioning	
Maximal range	3000m	
Positioning accuracy	0.2m typical after processing	
Bit rate	50bit/s	
Operating Frequency Range	38kHz - 48kHz	
Power supply	10VDC - 15VDC standard	
Power consumption	400mW in reception ; 50W in emission	15mW in reception ; 50W in emission
User link	USB	1.8V LVTTTL standard
Depth rating	500m	
Dimensions	370mm x 60mm	
Operating temperature	-20°C to +60°C	
Weight	800g in air, 100g in water	260g in air

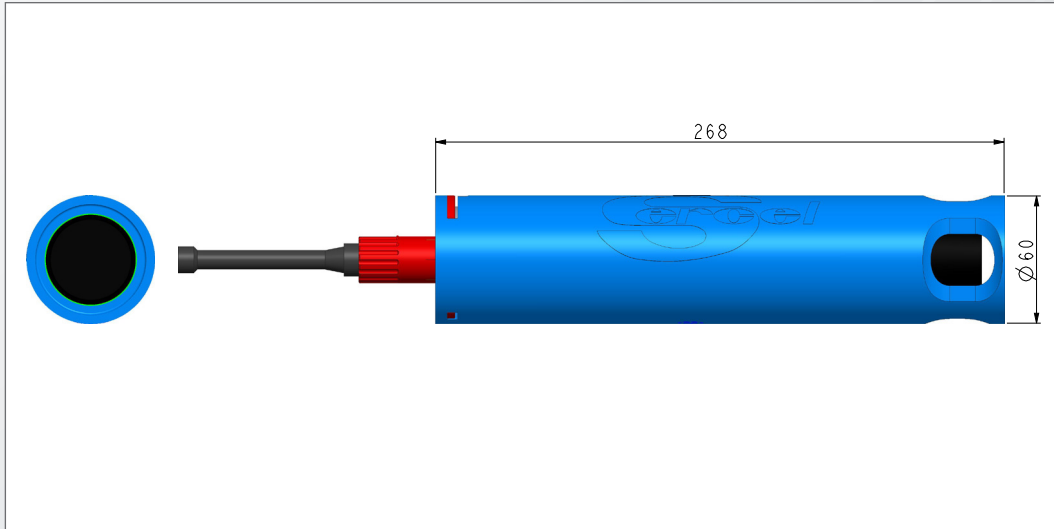
Note: Sercel reserves the right to change its specifications without prior notice.
All specifications are typical at 20°C



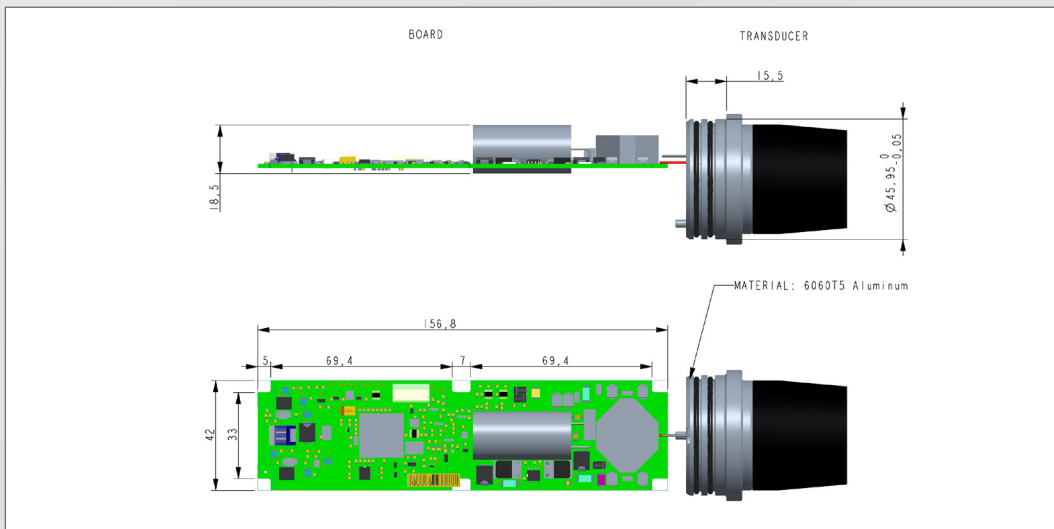
MATS LT (P/N 10045046)



MATS LT-OEM (P/N 10043472)



MATS LT (P/N 10045046)



MATS LT-OEM (P/N 10043472)

Sercel - France

16 rue de Bel Air
 B.P. 30439 - 44474 CARQUEFOU Cedex
Téléphone: (33) 2 40 30 11 81
E-mail: sales.nantes@sercel.com
 SAS au capital de 2 000 000 €
 Siège Social: 16 rue de Bel Air - 44470 CARQUEFOU
 378.040.497 R.C.S. Nantes Code APE 2651B

Sercel Inc. - U.S.A.

17200 Park Row
 Houston, Texas 77084
Telephone: (1) 281 492 6688
E-mail: sales.houston@sercel.com

www.sercel.com

© Sercel 03/20



Ahead of the CurveSM