

QuietSeis[®] OBN

OBN NODES			
GENERAL	GPR300	GPR3000+	MicrOBS
Deployment method	NOAR/ROV	ROV	Free Fall/Self popup
Memory autonomy (1ms sampling)	128 days (24h/day)	256 days (24h/day)	128 days (24h/day)
Battery autonomy	60 days (24h/day)	200 days (24h/day)	45 to 180 days (24h/day)
Weight (in air)	11 kg	23 kg	42 kg
Weight (in water)	5 kg	9,5 kg	12 kg
Orientation	Tilt indication: $\pm 0.5^\circ$ Heading: $\pm 5^\circ$		Tilt indication: $\pm 0.5^\circ$
Operational temperature	-10 °C to +50 °C		
Storage temperature	-20 °C to +60 °C		
Battery charge temperature	0 °C to +35 °C		-10 °C to +50 °C
Water depth	300 m	4,000 m	6,000 m
Hydrophone	Exportable hydrophone	Hydrophone with export licence	
Timing accuracy	<1 ms over 60 days corrected post-acquisition	<1 ms typical over 120 days corrected post-acquisition	<1 ms corrected post-acquisition

PARAMETERS			
	Hydrophone	QuietSeis Accelerometer	
Acquisition	Data Filtering, compression & time stamping 24 bits A/D conversion	Data Filtering, compression & time stamping 24 bits data	
Sensor tests	Noise	Noise, Distortion, Gravity, Tilt	
Instrument tests	Noise, Distortion, Gain, Phase	Distortion, Gain, Phase, Xtalk	
Sample rate	4, 2, 1, 0.5 ms		
Bandwidth	2-800 Hz, 3 dB	0-800 Hz, 3 dB	
Sensitivity	GPR -201dB re. 1V/ μ Pa (8,9 V/Bar)	MicrOBS -160 dB ref 1V/ μ Pa (1000V/Bar)	N/A
Low-cut filter	Selectable (none, 0.15625 Hz, 0.3125 Hz, 0.625 Hz, 1.25 Hz, 2.5 Hz)		
High-cut filter	0.8 FN linear or minimum phase		
Full scale	1.6V RMS (0 dB), 400 mV RMS (12 dB), 100 mV RMS (24 dB)	5 m/s ² (510 mg)	
Noise	Instrument : 350 nV (0 dB), 145 nV (12 dB), 65 nV (24 dB) Hydrophone : 0,08 μ Bar	0.15 μ m/s ² /√Hz (15 ng/√Hz), [10-200 Hz]	
Instantaneous dynamic range	132 dB*	128 dB	
System dynamic range	145 dB*	-	
Distortion	-110 dB*	-90 dB	
Gain accuracy	< 0,1%*	< 0,25%	
Orthogonality accuracy	N/A	$\pm 0,25^\circ$	

(*) Instrument specifications

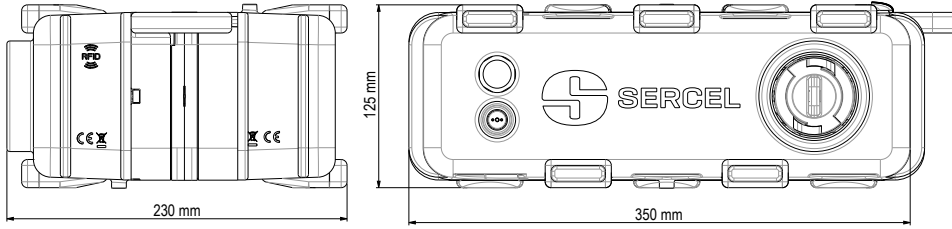
Note: Sercel reserves the right to change its specifications without prior notice. All specifications are typical at 20°C, 2ms sampling except where otherwise stated

DHM	
Power	40 W
Voltage	240 Vac

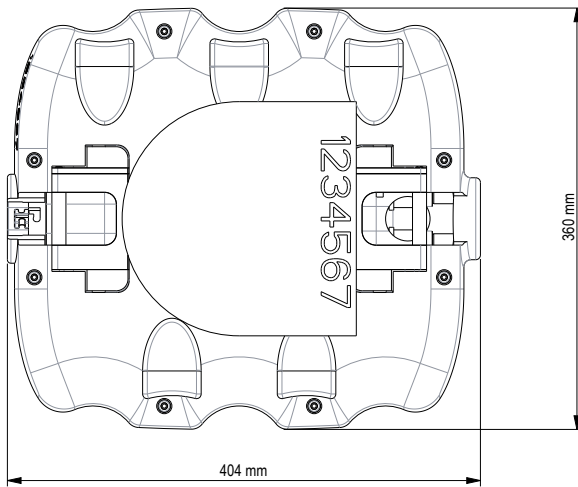
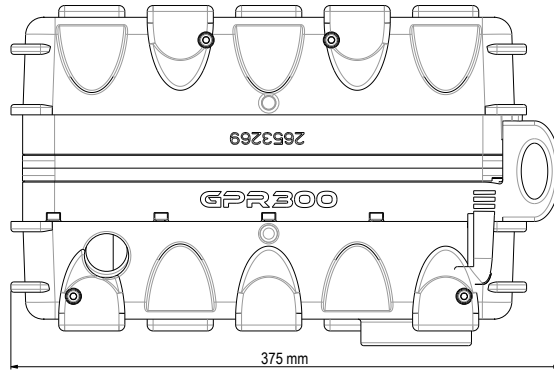
GIM	
Size (HxWxL)	120x480x320 mm
Weight	13.7 kg
Charging temperature	0 °C to +35 °C
Ethernet physical	100 Mb
Charging time	6 h
#GPR per GIM	4
Cable length	2.5 m
Power	1100 W
Voltage	240 Vac
Ingress protection	IP67

GTM	
Size (HxWxL)	359x665x650 mm
Weight	34kg (39 kg with fixing elements)
Operating temperature	0 °C to +45 °C
Time reference	GPS
Ethernet Physical	1 Gb
#GIM per GTM	8
Cable Length	3 m
Power	145 W
Voltage	240 Vac
Ingress protection	IP67

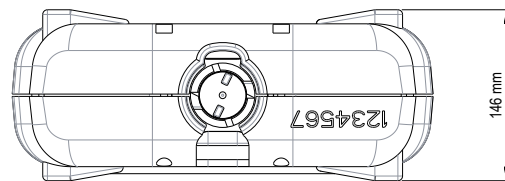
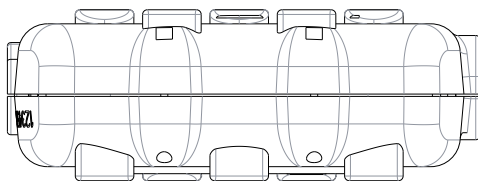
Note: Sercel reserves the right to change its specifications without prior notice.
 All specifications are typical at 20°C, 2ms sampling except where otherwise stated



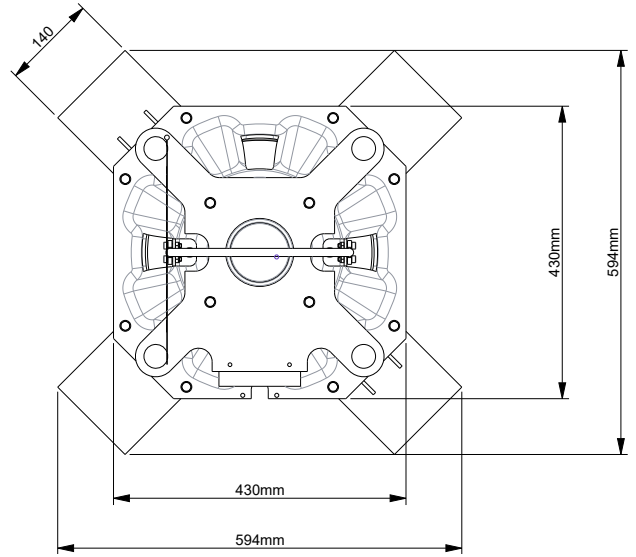
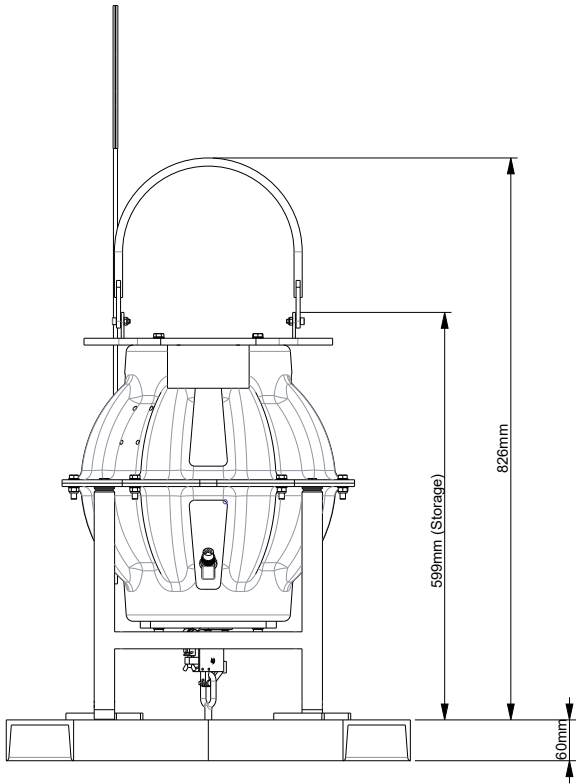
GPR300



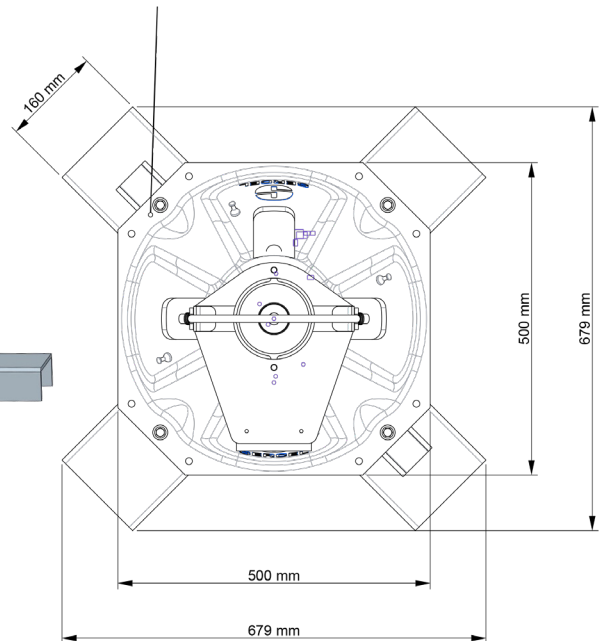
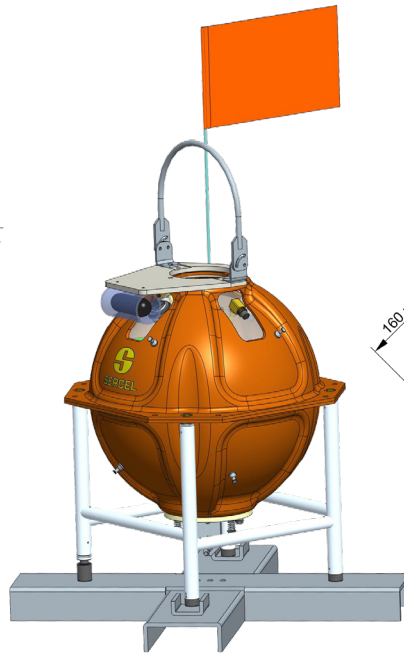
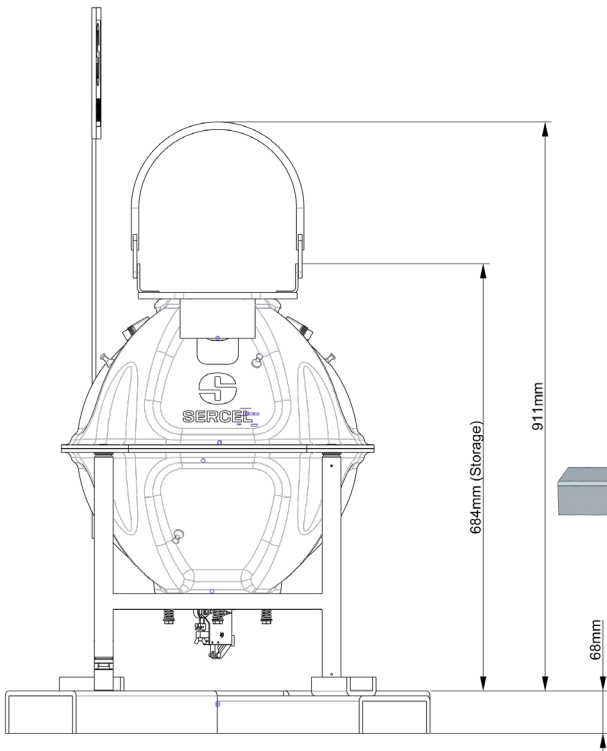
GPR3000+



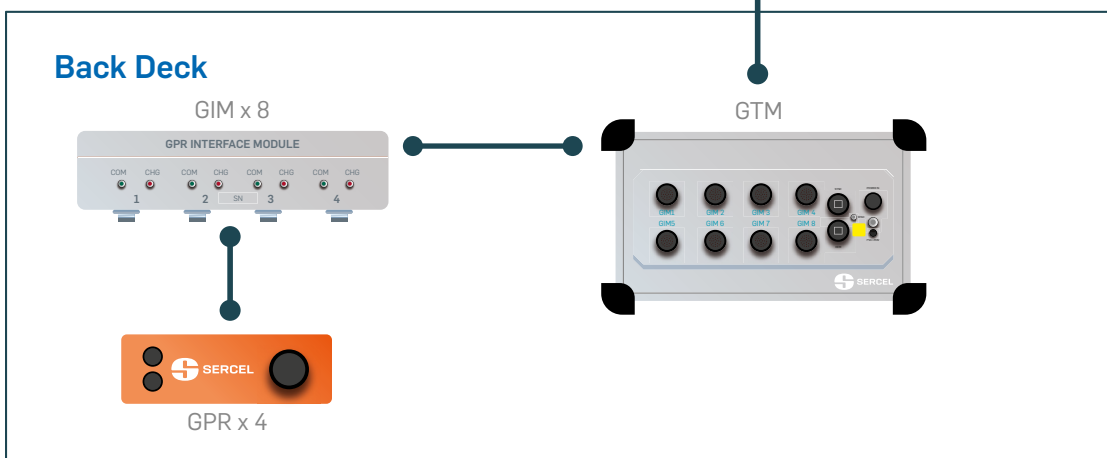
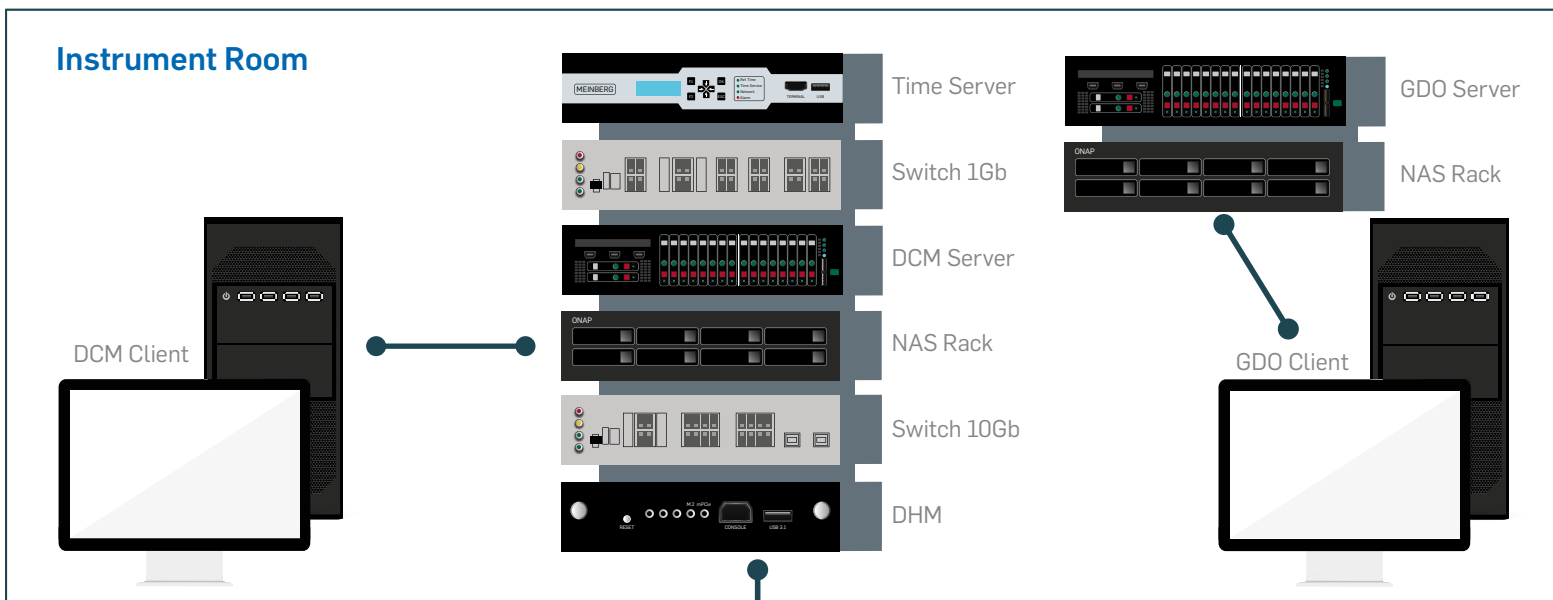
MicrOBS 13" / 45 days



MicrOBS 17" / 180 days



SYSTEM ARCHITECTURE



Sercel - France

16 rue de Bel Air- B.P. 30439
 44474 CARQUEFOU Cedex
 Tel: (33) 2 40 30 11 81
 E-mail: sales.nantes@sercel.com

Sercel Inc. - U.S.A.

17300 Park Row - Houston,
 Texas 77084
 Tel: (1) 281 492 6688
 E-mail: sales.houston@sercel.com



www.sercel.com

© Sercel 05/26